

ETATRACK active 400



Active Solar Tracking System

Characteristics

- total module surface up to 4 m²
- maintenance-free
- high reliability and life expectancy
- low power consumption, ca. 1.25 kWh/year
- no unnecessary tracking movements
- no failure prone light sensor
- designed to withstand wind speed up to 120 km/h
- cost-efficient tracking system

Application

Single-axis solar tracking increases the energy return of solar modules, dependent on location, by 25% (e.g. Germany) up to 35% (e.g. central US, Korea, Spain) per year in average, respectively up to 55% during the summer months.

Tracking

- angle East-West: 90°, active
- elevation angle: 0° - 45°, manually adjustable
- no separate sensors, it uses the modules as sensor
- energy supply of tracking drive: 12 V nominal, max. 200 V (Voc), provided by one of the tracked modules
- horizontal position at night
- tracking in steps according to the daily sunshine duration
- one tracking control electronics can operate two frames

Module Surface And Fixation

- 4 m² total module surface (up to 500 Wp, dependent on module type)
- fixation: movable stainless steel clips; length of fixation rails: 2.97 m

Mounting And Foundation

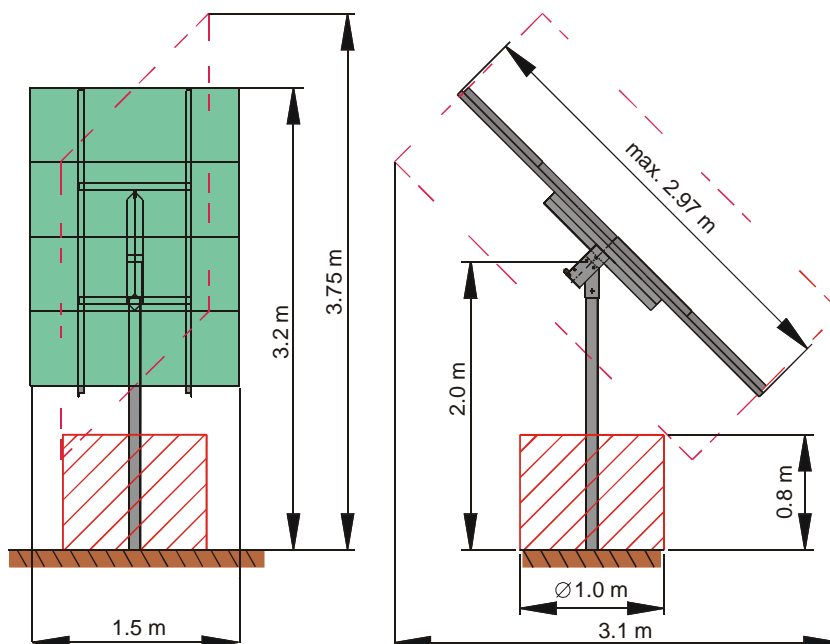
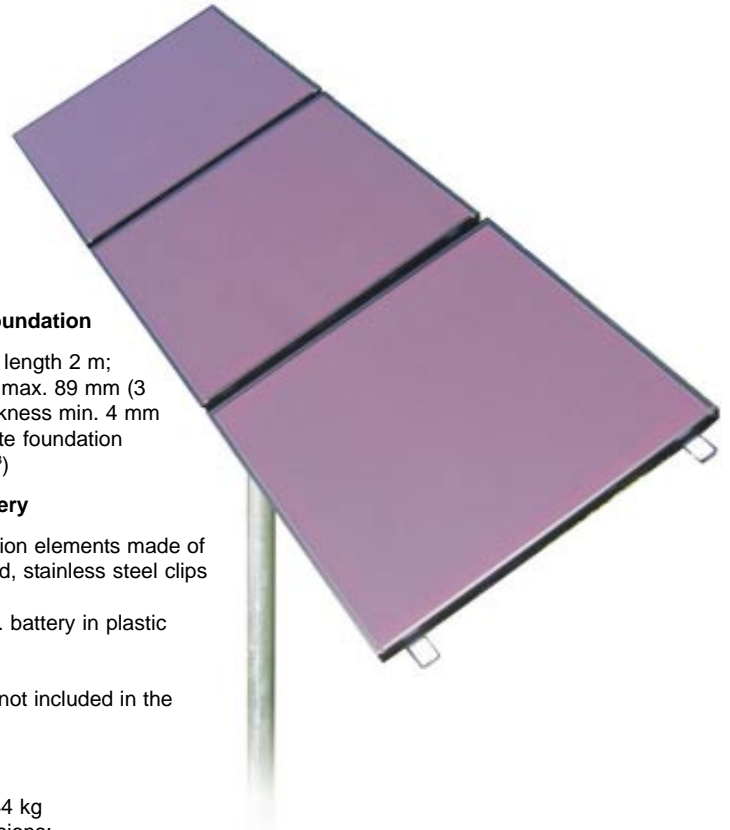
- mounting pole: length 2 m; outer diameter max. 89 mm (3 1/2 "); wall thickness min. 4 mm
- surface concrete foundation (approx. 0.7 m³)

Included In Delivery

- frame and fixation elements made of steel, Zn coated, stainless steel clips for modules
- electronics incl. battery in plastic housing
- linear motor
- mounting pole not included in the delivery

Packing

- gross weight: 44 kg
- packing dimensions: 1200 x 400 x 160 mm = 0.08 m³



Fitting PV Modules (Choice)

| Type of PV Module | Quantity of PV Modules | max. Watts |
|-------------------|------------------------|------------|
| Astropower AP 110 | 4 | 440 |
| BP 3125 | 4 | 500 |
| BP 3160 | 3 | 480 |
| BP 380 | 5 | 400 |
| GE 165 | 3 | 495 |
| GE 173 | 3 | 519 |
| Isototon I 110 | 4 | 440 |
| Kyocera KC 125 | 4 | 500 |
| Sharp 123 Wp | 4 | 492 |
| Sharp 80 Wp | 5 | 400 |
| Shell 85 Wp | 5 | 425 |
| Shell SQ150C | 3 | 450 |

For more fitting module types, check the drawing to the left.