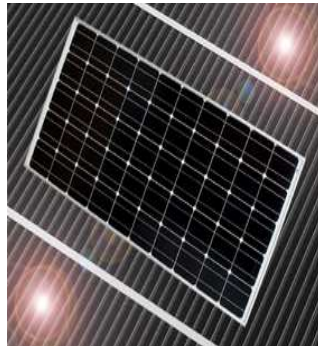
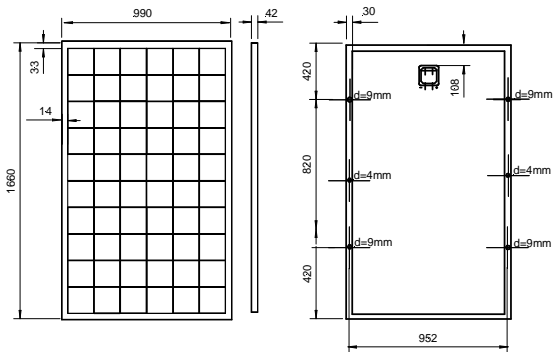


DATASHEET ENFOTON – 60E6M+

Photovoltaic Multi-Crystalline Solar Module

Enfoton Standard Series



Weak Light Performance		
Intensity W/m ²	Umpp	Impp
800	0	-20
600	-0,9	-40
400	-2,1	-60
200	-5,1	-80
100	-8,7	-90

Mechanical Characteristics:

- 60 Monocrystalline Photovoltaic Cells per Module
- Size: 1660 x 830mm
- Anodized Aluminium Frame, height 42mm
- Weight 21 kg
- TÜV 5400 Pa tested
- Hail up to 28mm diameter, 86 Km/h tested
- Temperature Range -40 to +85°C
- Nominal operating cell temperature (NOCT): 47°C
- Glass Foil Sandwich Laminate
- EVA encapsulate
- Glass 4mm tempered

Certificates:

- TÜV IEC 61215
- TÜV Safety Class II
- TÜV IEC 61730
- TÜV 5400 Pa according to EN IEC 61215

Electrical connection:

- Junction Box Spelsberg PV1410
- 3 Bypass Diodes nominal current 12A
- Solar Cable 4 mm² 1000mm with MC connectors
- Module connection max 930V in series
- Limiting reverse current IR=13A

Electrical Characteristics at STC:

1000W/m² at Cell temperature 25°C, AM 1,5

Module	60E6M+225F	60E6M+235F	60E6M+245F
Rated Power	225Wp	235Wp	245Wp
Tolerance:	+/- 3%	+/- 3%	+/- 3%
Open Circuit Voltage (Uoc):	36,80V	36,81V	37,00V
Short Circuit Current (Isc):	8,50A	8,70A	8,76A
Max. Power Voltage (Umpp):	27,68V	28,87V	29,20V
Max. Power Current (Impp):	8,13A	8,14A	8,39A
Temp.Coeff. Isc/K	+0,03%/K	+0,03%/K	+0,03%/K
Temp.Coeff. Uoc/K:	-0,37%/K	-0,37%/K	-0,37%/K
Temp.Coeff. Pmpp/K:	-0,51%/K	-0,51%/K	-0,51%/K

Warranty:

Performance warranty: **10 years** with maximum loss of 10% on Power Rating
 Performance warranty: **25 years** with maximum loss of 20% on Power Rating
 Product warranty : **3 years**



- Qualified, IEC 61215
- Safety tested, TÜV-Spec 931/2.572.9
- Periodic Inspection



ENFOTON Solar Ltd., 7, Polyphimou Street
 Strovolos Industrial Area
 CY-2033 Nicosia CYPRUS

