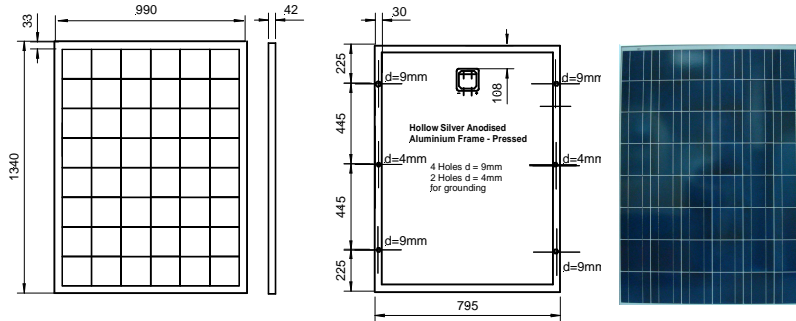


# DATASHEET ENFOTON – 48E6+

## Photovoltaic Multi-Crystalline Solar Module

### Enfoton Standard Series



Weak Light Performance		
Intensity W/m <sup>2</sup>	Umpp	Impp
800	0	-20
600	-0,9	-40
400	-2,1	-60
200	-5,1	-80
100	-8,7	-90

#### Mechanical Characteristics:

- 48 Crystalline Photovoltaic Cells per Module
- Size: 1340 x 990mm
- Anodized Aluminium Frame, height 42mm
- Weight 18 kg
- TÜV 5400 Pa tested
- Hail up to 28mm diameter, 86 Km/h tested
- Temperature Range -40 to +85°C
- Nominal operating cell temperature (NOCT): 47°C
- Glass Foil Sandwich Laminate
- EVA encapsulate
- Glass 4mm tempered

#### Certificates:

- TÜV IEC 61215
- TÜV Safety Class II
- TÜV IEC 61730
- TÜV 5400 Pa according to EN IEC 61215

#### Electrical connection:

- Junction Box Spelsberg PV1410
- 3 Bypass Diodes nominal current 12A
- Solar Cable 4 mm<sup>2</sup> 1000mm with MC connectors
- Module connection max 930V in series
- Limiting reverse current IR=13A

#### Electrical Characteristics at STC:

1000W/m<sup>2</sup> at Cell temperature 25°C, AM 1,5

Module	48E6+170F	48E6+175F	48E6+180F	48E6+185F	48E6+190F	48E6+195F	48E6+200F
Rated Power	170Wp	175Wp	180Wp	185Wp	190Wp	195Wp	200Wp
Tolerance:	+/- 3%	+/- 3%	+/- 3%	+/- 3%	+/- 3%	+/- 3%	+/- 3%
Open Circuit Voltage (Uoc):	29,62V	29,65V	29,80V	29,86V	29,90V	30,01V	30,55V
Short Circuit Current (Isc):	8,05A	8,11A	8,15A	8,21A	8,30A	8,38A	8,47A
Max. Power Voltage (Umpp):	23,37V	23,43V	23,50V	23,68V	23,88V	24,07V	26,42V
Max. Power Current (Impp):	7,28A	7,46A	7,68A	7,81A	7,96A	8,10A	7,57A
Temp.Coeff. Isc/K	+0.03%/K	+0.03%/K	+0.03%/K	+0.03%/K	+0.03%/K	+0.03%/K	+0.03%/K
Temp.Coeff. Uoc/K:	-0.33%/K	-0.33%/K	-0.33%/K	-0.33%/K	-0.33%/K	-0.33%/K	-0.33%/K
Temp.Coeff. Pmpp/K:	-0.43%/K	-0.43%/K	-0.43%/K	-0.43%/K	-0.43%/K	-0.43%/K	-0.43%/K

#### Warranty:

Performance warranty: **10 years** with maximum loss of 10% on Power Rating

Performance warranty: **25 years** with maximum loss of 20% on Power Rating

Product warranty : **3 years**



- Qualified, IEC 61215
- Safety tested, TÜV-Spec 931/2.572.9
- Periodic Inspection



ENFOTON Solar Ltd., 7, Polyphimou Street  
Strovolos Industrial Area  
CY-2033 Nicosia CYPRUS

